



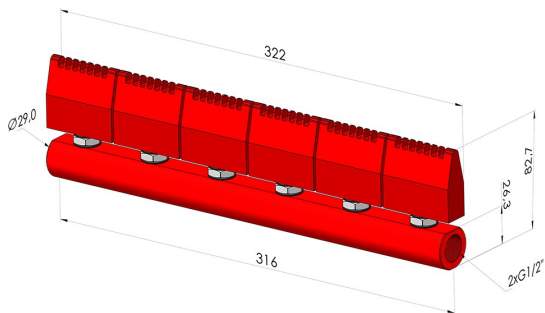
Manifold series TDC BS - 6 nozzles G1/4" series BJP

Ref. TDC BS 6 BJP 14 52--

A few examples of installations are presented on this site, but it is possible to design your blowing manifold to size according to the application and work surface to be covered.

All Novacom air nozzles can be installed on the cylindrical cross-section TDC BS with 2, 3, 4 or 6 outputs.

The series TDC BS blowing manifolds are available in aluminium or 316L stainless steel. Many combinations are possible, please contact us.



Description

Cylindrical profile - 2 G1/2" female inputs - 6 nozzles G1/4" series BJP

Type Manifolds

Series TDC BS





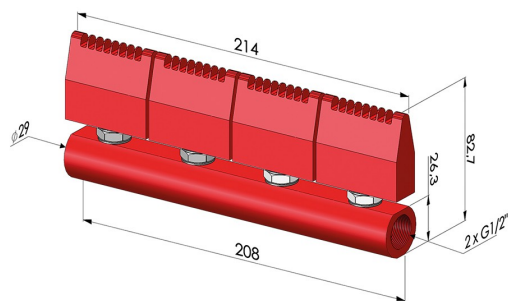
Manifold series TDC BS - 4 nozzles G1/4" series BJP

Ref. TDC BS 4 BJP 14 52--

A few examples of installations are presented on this site, but it is possible to design your blowing manifold to size according to the application and work surface to be covered.

All Novacom air nozzles can be installed on the cylindrical cross-section TDC BS with 2, 3, 4 or 6 outputs.

The series TDC BS blowing manifolds are available in aluminium or 316L stainless steel. Many combinations are possible, please contact us.



Description

Cylindrical profile - 2 G1/2" female inputs - 4 nozzles G1/4" series BJP

Type Manifolds

Series TDC BS





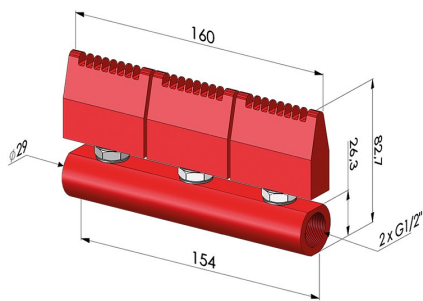
Manifold series TDC BS - 3 nozzles G1/4" series BJP

Ref. TDC BS 3 BJP 14 52--

A few examples of installations are presented on this site, but it is possible to design your blowing manifold to size according to the application and work surface to be covered.

All Novacom air nozzles can be installed on the cylindrical cross-section TDC BS with 2, 3, 4 or 6 outputs.

The series TDC BS blowing manifolds are available in aluminium or 316L stainless steel. Many combinations are possible, please contact us.



Description

Cylindrical profile - 2 G1/2" female inputs - 3 nozzles G1/4" series BJP

Type Manifolds

Series TDC BS





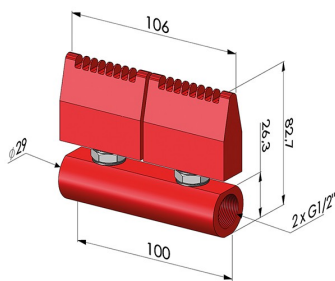
Manifold series TDC BS - 2 nozzles G1/4" series BJP

Ref. TDC BS 2 BJP 14 52--

A few examples of installations are presented on this site, but it is possible to design your blowing manifold to size according to the application and work surface to be covered.

All Novacom air nozzles can be installed on the cylindrical cross-section TDC BS with 2, 3, 4 or 6 outputs.

The series TDC BS blowing manifolds are available in aluminium or 316L stainless steel. Many combinations are possible, please contact us.



Description

Cylindrical profile - 2 G1/2" female inputs - 2 nozzles G1/4" series BJP

Type Manifolds

Series TDC BS

