



Circular Air Knife Series RAC-2 - ID 178 mm

Ref. RAC-2 178 --

The RAC-2 series circular air curtains are used to cool, blow, or clean cylindrical surfaces without creating undue noise or using an excessive amount of air. The compressed air flow is amplified 25 times.

Principle

The small amount of compressed air that escapes from the air curtain is ejected at high speed inside the body of the air curtain. In this way, a fast-moving "air knife" is created, carrying with it any surrounding air to the targeted location. Air curtains are ideal for performing large-scale cooling of products or for cleaning large quantities of dust, chips, oil, water, etc., using only a limited volume of compressed air. And since the amount of compressed air needed is quite modest, the noise levels are also lower. A level of 50 dBA less than other conventional systems can be achieved.

Specifications of the RAC-2 178

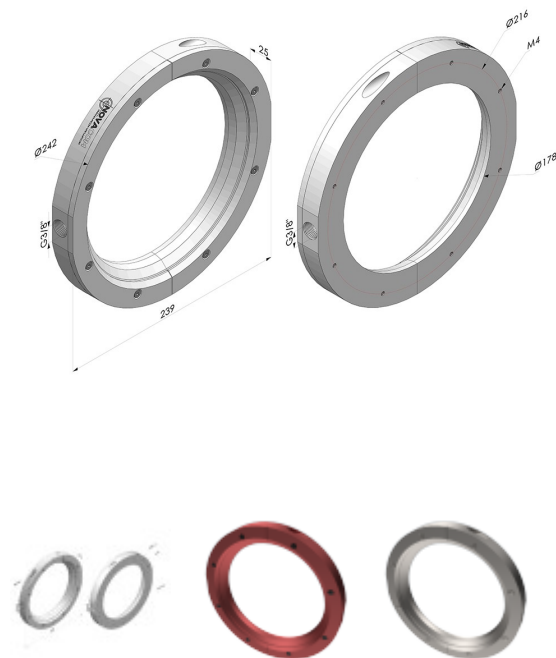
- Air used at 5.5 bar: 2 260NI/min
- Amplified air ratio: 25:1
- Weight: Al: 1093g
- Weight: Stainless steel: 3169g

Stainless steel contact us

Description

Circular Air Knife Series RAC-2 - ID 178 mm

Type	Circular
Series	RAC-2
Width	25 mm
Vacuum Connection	G3/8?
Thread	M4
Outer Diameter	239 mm



Inner Diameter

178 mm



Circular Air Knife Series RAC-2 - ID 127 mm

Ref. RAC-2 127 --

The RAC-2 series circular air curtains are used to cool, blow, or clean cylindrical surfaces without creating undue noise or using an excessive amount of air. The compressed air flow is amplified 25 times.

Principle

The small amount of compressed air that escapes from the air curtain is ejected at high speed inside the body of the air curtain. In this way, a fast-moving "air knife" is created, carrying with it any surrounding air to the targeted location. Air curtains are ideal for performing large-scale cooling of products or for cleaning large quantities of dust, chips, oil, water, etc., using only a limited volume of compressed air. And since the amount of compressed air needed is quite modest, the noise levels are also lower. A level of 50 dBA less than other conventional systems can be achieved.

Specifications of the RAC-2 127

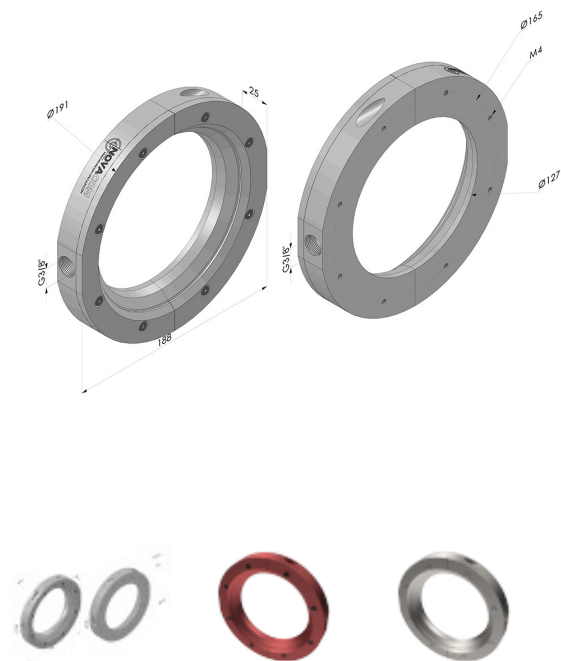
- Air used at 5.5 bar: 1 524l/min
- Amplified air ratio: 25:1
- Weight: Al: 830g
- Weight: Stainless steel: 2397g

Stainless steel contact us

Description

Circular Air Knife Series RAC-2 - ID 127 mm

Type	Circular
Series	RAC-2
Width	25 mm



Vacuum Connection
Thread
Outer Diameter
Inner Diameter

G3/8?
M4
188 mm
127 mm



Circular Air Knife Series RAC-2 - ID 76 mm

Ref. RAC-2 76 --

The RAC-2 series circular air curtains are used to cool, blow, or clean cylindrical surfaces without creating undue noise or using an excessive amount of air. The compressed air flow is amplified 25 times.

Principle

The small amount of compressed air that escapes from the air curtain is ejected at high speed inside the body of the air curtain. In this way, a fast-moving "air knife" is created, carrying with it any surrounding air to the targeted location. Air curtains are ideal for performing large-scale cooling of products or for cleaning large quantities of dust, chips, oil, water, etc., using only a limited volume of compressed air. And since the amount of compressed air needed is quite modest, the noise levels are also lower. A level of 50 dBA less than other conventional systems can be achieved.

Specifications of the RAC-2 76

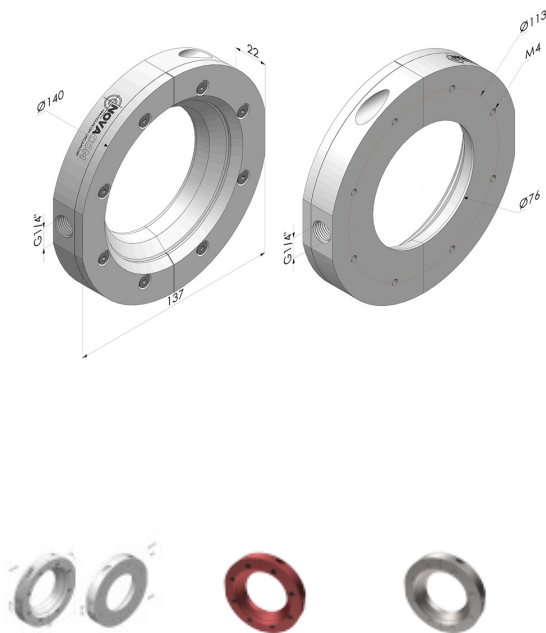
- Air used at 5.5 bar: ???NI/min
- Amplified air ratio: 25:1
- Weight: Al: 499g
- Weight: Stainless steel: 1423g

Stainless steel contact us

Description

Circular Air Knife Series RAC-2 - ID 76 mm

Type	Circular
Series	RAC-2
Width	22 mm



Vacuum Connection
Thread
Outer Diameter
Inner Diameter

G1/4?
M4
137 mm
76 mm



Circular Air Knife Series RAC-2 - ID 51 mm

Ref. RAC-2 51 --

The RAC-2 series circular air curtains are used to cool, blow, or clean cylindrical surfaces without creating undue noise or using an excessive amount of air. The compressed air flow is amplified 25 times.

Principle

The small amount of compressed air that escapes from the air curtain is ejected at high speed inside the body of the air curtain. In this way, a fast-moving "air knife" is created, carrying with it any surrounding air to the targeted location. Air curtains are ideal for performing large-scale cooling of products or for cleaning large quantities of dust, chips, oil, water, etc., using only a limited volume of compressed air. And since the amount of compressed air needed is quite modest, the noise levels are also lower. A level of 50 dBA less than other conventional systems can be achieved.

Specifications of the RAC-2 51

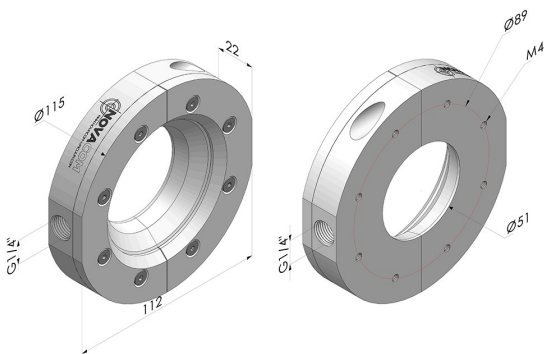
- Air used at 5.5 bar: 730NI/min
- Amplified air ratio: 25:1
- Weight: Al: 388g
- Weight: Stainless steel: 1097g

Stainless steel contact us

Description

Circular Air Knife Series RAC-2 - ID 51 mm

Type	Circular
Series	RAC-2
Width	22 mm



Vacuum Connection
Thread
Outer Diameter
Inner Diameter

G1/4?
M4
112 mm
51 mm



Circular Air Knife Series RAC-2 - ID 25 mm

Ref. RAC-2 25 --

The RAC-2 series circular air curtains are used to cool, blow, or clean cylindrical surfaces without creating undue noise or using an excessive amount of air. The compressed air flow is amplified 25 times.

Principle

The small amount of compressed air that escapes from the air curtain is ejected at high speed inside the body of the air curtain. In this way, a fast-moving "air knife" is created, carrying with it any surrounding air to the targeted location. Air curtains are ideal for performing large-scale cooling of products or for cleaning large quantities of dust, chips, oil, water, etc., using only a limited volume of compressed air. And since the amount of compressed air needed is quite modest, the noise levels are also lower. A level of 50 dBA less than other conventional systems can be achieved.

Specifications of the RAC-2 25

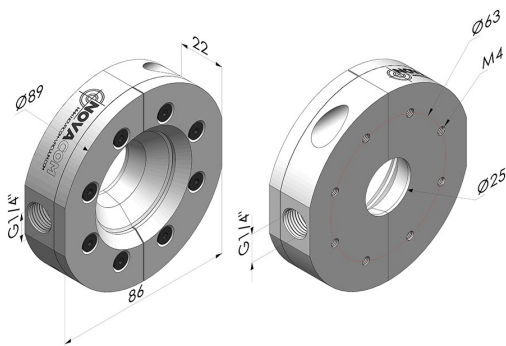
- Air used at 5.5 bar: 560NI/min
- Amplified air ratio: 25:1
- Weight: Al: 273g
- Weight: Stainless steel: 758g

Stainless steel contact us

Description

Circular Air Knife Series RAC-2 - ID 25 mm

Type	Circular
Series	RAC-2
Width	22 mm



Vacuum Connection
Thread
Outer Diameter
Inner Diameter

G1/4?
M4
86 mm
25 mm