

Air Booster Nozzles

For compressors

Long Flat Type
Stainless Steel

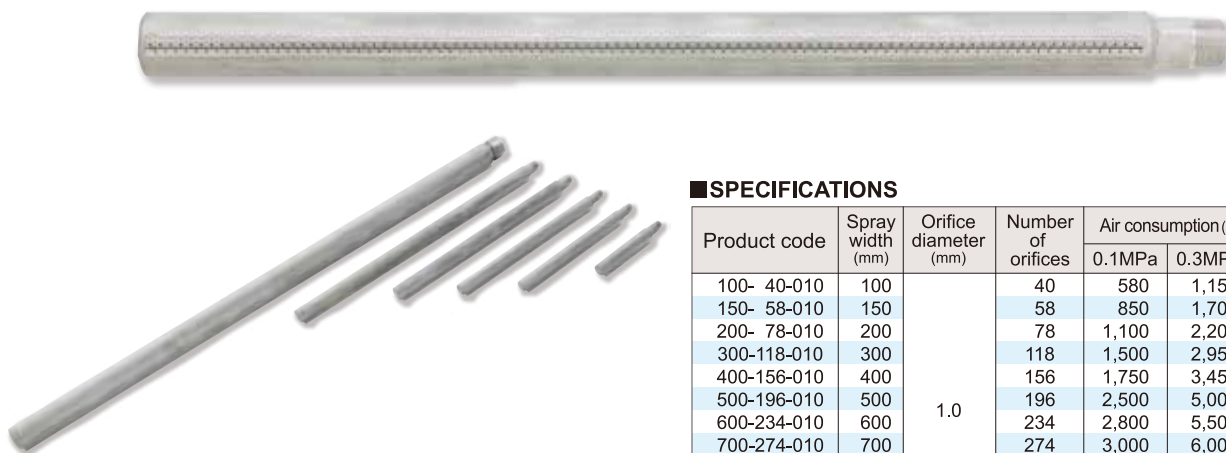
FEATURES

- Long flat type designed for blowing air over greater widths.
- 12 spray width types, 100mm-1,400mm, are available.
- Compact design, suitable for narrow spaces.
- Air inlet connection at both ends available for size 500mm and longer, yields more space savings.
- Made of stainless steel with high resistance to shock and heat.

Flat Type



[Spray pattern]

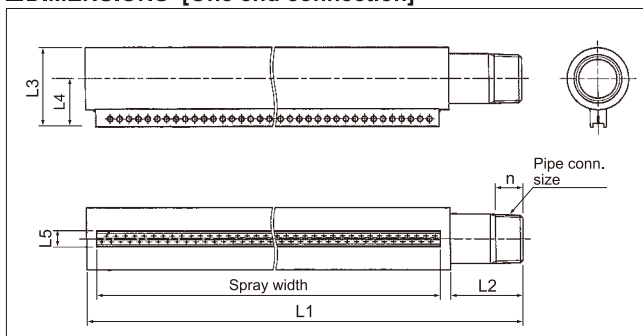


Material: S304
Max. allowable temperature: 400°C (750°F)

SPECIFICATIONS

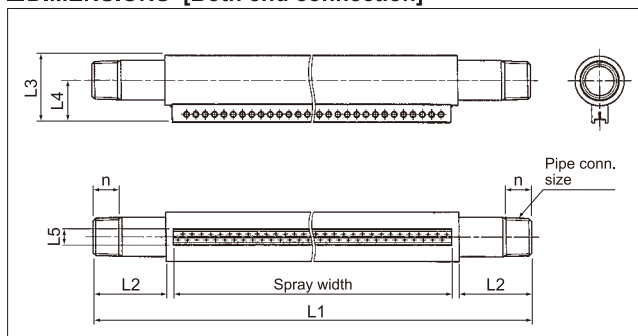
Product code	Spray width (mm)	Orifice diameter (mm)	Number of orifices	Air consumption (ℓ/min, Normal)		
				0.1MPa	0.3MPa	0.5MPa
100- 40-010	100	1.0	40	580	1,150	1,720
150- 58-010	150		58	850	1,700	2,550
200- 78-010	200		78	1,100	2,200	3,300
300-118-010	300		118	1,500	2,950	4,400
400-156-010	400		156	1,750	3,450	5,150
500-196-010	500		196	2,500	5,000	7,400
600-234-010	600		234	2,800	5,500	8,200
700-274-010	700		274	3,000	6,000	9,000
800-312-010	800		312	4,100	8,100	12,200
900-352-010	900		352	4,300	8,600	12,900
1000-390-010	1,000		390	4,800	9,400	14,000
1200-468-010	1,200		468	5,200	10,400	15,500
1400-546-010	1,400	546	7,500	15,000	22,500	

DIMENSIONS [One end connection]



Product code	Pipe conn. size	Outer dimensions (mm)						Mass (g)
		L1	L2	L3	L4	L5	n	
100- 40-010	1/2M	156	40	37	23	9	14	360
150- 58-010		203	40	37	23	9	14	500
200- 78-010		254	40	37	23	9	14	640
300-118-010		357	40	37	23	9	14	850
400-156-010	455	40	37	23	9	14	1,100	
500-196-010	3/4M	557	40	44	27	9	15	2,000
600-234-010		655	40	44	27	9	15	2,400
700-274-010	758	40	44	27	9	15	2,800	
800-312-010	1M	856	40	52	31	9	18	3,200
900-352-010		959	40	52	31	9	18	5,100
1000-390-010		1,056	40	52	31	9	18	5,600
1200-468-010		1,257	40	52	31	9	18	6,700
1400-546-010	1,457	40	70	40	9	20	13,800	

DIMENSIONS [Both end connection]



Product code	Pipe conn. size*	Outer dimensions (mm)						Mass (g)
		L1	L2	L3	L4	L5	n	
500-196-010	2-1/2M	597	40	37	23	9	14	1,750
600-234-010		695	40	37	23	9	14	2,050
700-274-010		798	40	37	23	9	14	2,400
800-312-010	2-3/4M	896	40	44	27	9	15	3,250
900-352-010		999	40	44	27	9	15	3,650
1000-390-010		1,096	40	44	27	9	15	4,000
1200-468-010		1,297	40	44	27	9	15	4,750
1400-546-010	2-1M	1,497	40	52	31	9	18	8,800

*For both-end connection type, pipe connection size is indicated as "the number of inlets" - "thread size".

How to order

Please inquire or order for a specific nozzle using this coding system.

<Example> 3/4M TF-PF 500-196-010 S304

Pipe conn. size TF - PF Product code S304