



Flat type



Flat type



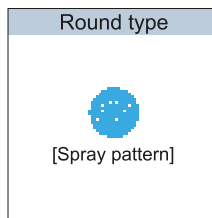
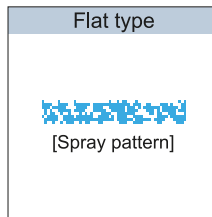
Compact flat type



Round type



Round type



[Features]

- Takes in surrounding air, boosting the volume of powerful air blow. Ideal for blowing off water.
- Uniform and efficient air blow with lower air consumption.
- Designed to have minimal noise level.
- Available in economical plastic or chemical/heat resistant stainless steel, in spray patterns of flat type or round type.

[Applications]

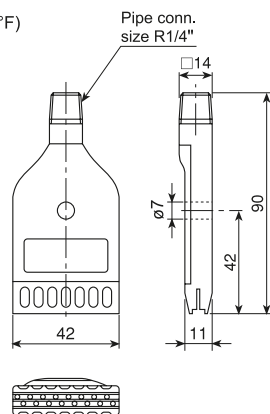
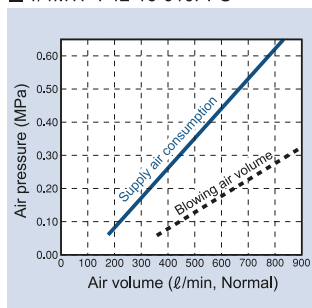
- Blowing off drying
- Blowing off dust/liquid
- Air cooling
- Cleaning

TAIFUJet® series (Flat type/Plastic)

TAIFUJet® series (Flat type, 42 mm wide)	
Material	• PPS
Mass	• 30 g

Max. air pressure: 0.7 MPa (100 psi)
Max. allowable temperature: 120°C (240°F)

■ 1/4MTF-F42-16-010PPS

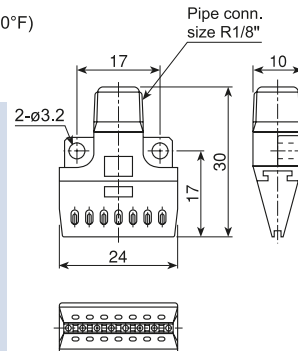
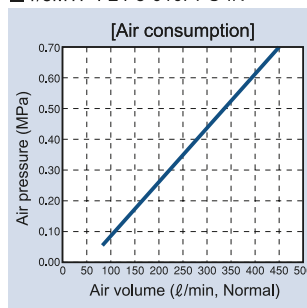


TAIFUJet® series (Compact flat type/Plastic)

TAIFUJet® series (Flat type, 24 mm wide)	
Material	• PPS
Mass	• 4 g

Max. air pressure: 0.7 MPa (100 psi)
Max. allowable temperature: 120°C (240°F)

■ 1/8MTF-F24-8-010PPS-IN



TAIFUJet® series (Flat type/Stainless steel)

TAIFUJet® series (Flat type, 42 mm or 50 mm wide)	
Material	• 42 mm type: S316L equivalent • 50 mm type: S304

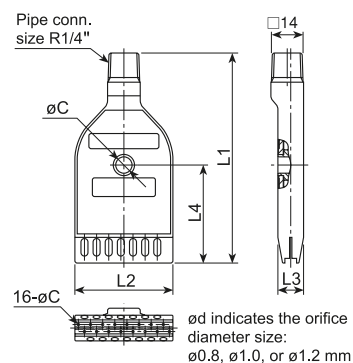
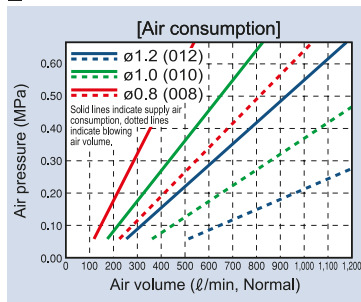
Nozzle code	Dimensions (mm)						Mass (g)
	L1	L2	L3	L4	L5	øC	
1/4MTF-F42-16-***S316L-IN	90	42	11	42	—	7	144
1/4MTF-F50-16-012S304	65	50	12	30	14	—	140

Max. air pressure: 1.0 MPa (140 psi)
Max. allowable temperature: 400°C (750°F)

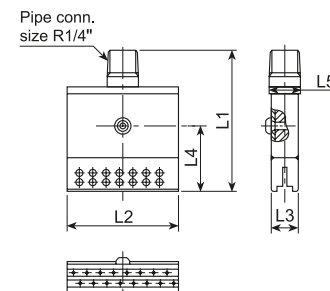
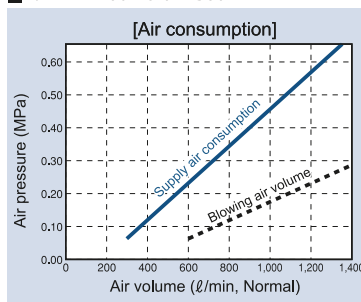
1/4MTF-F42-16 is available in orifice diameters of ø0.8, ø1.0, or ø1.2 mm.

Enter 008 for ø0.8 mm, 010 for ø1.0 mm, or 012 for ø1.2 mm in place of *** in the nozzle codes when you order.

■ 1/4MTF-F42-16-***S316L-IN



■ 1/4MTF-F50-16-012S304

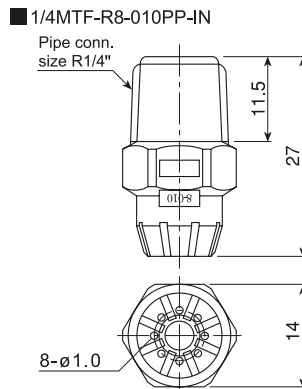


[Note] Appearance and dimensions may differ slightly depending on materials and nozzle codes.

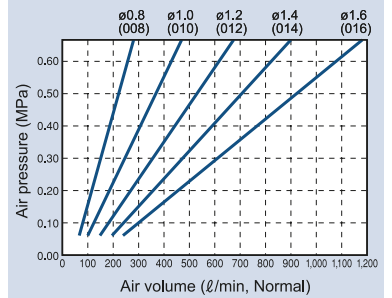
TAIFUJet® series (Round type/Plastic)

	TAIFUJet® series (Round type, PP)
Material	• PP
Mass	• 2 g

Max. air pressure: 0.7 MPa (100 psi)
Max. allowable temperature: 60°C (140°F)



■ **Air consumption (Round type)**

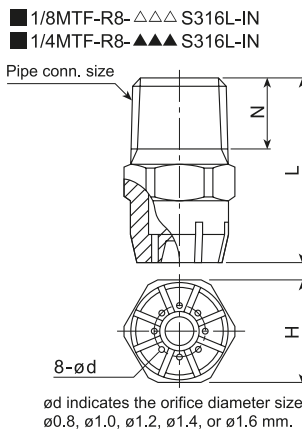


TAIFUJet® series (Round type/Stainless steel)

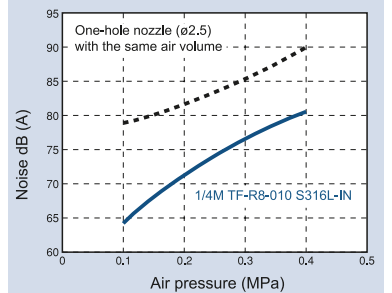
	TAIFUJet® series (Round type, Stainless steel)
Material	• S316L equivalent

Nozzle code	Pipe conn. size	Dimensions (mm)			Mass (g)
		L	H	N	
1/8MTF-R8- △△△S316L-IN	R1/8	20	12	7	7
1/4MTF-R8- ▲▲▲S316L-IN	R1/4	25	14	9.5	12

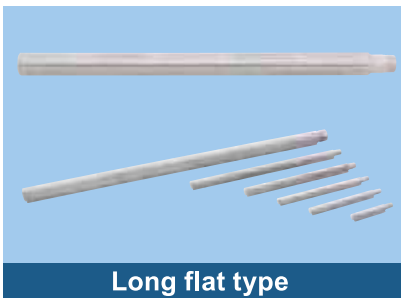
Max. air pressure: 1.0 MPa (140 psi)
Max. allowable temperature: 400°C (750°F)
• Enter 008 for ø0.8 mm, 010 for ø1.0 mm, 012 for ø1.2 mm, or 014 for ø1.4 mm in place of △△△ in the nozzle codes.
• Enter 010 for ø1.0 mm, 012 for ø1.2 mm, 014 for ø1.4 mm, or 016 for ø1.6 mm in place of ▲▲▲ in the nozzle codes.



■ **Noise level comparison (Round type)**



Other TAIFUJet® series nozzles



• Made of stainless steel.
Available effective widths in 100, 150, 200, 300, 400, 500, 600, 700, 800, 900, 1,000, 1,200, and 1,400 mm.



• Header with a cluster of multiple round-type stainless steel air nozzles.
Header and adaptor made of stainless steel or aluminum.
Please contact us for details.



See our AIR NOZZLE CATALOG for details of TAIFUJet series and more.

How to order

Please inquire or order for a specific nozzle using this coding system.

① Flat type made of plastic (PPS)

1/4MTF-F42-16-010PPS

② Compact flat type made of plastic (PPS)

1/8MTF-F24-8-010PPS-IN

③ Flat type made of stainless steel

1/4MTF-F42-16-***S316L-IN

1/4MTF-F50-16-012S304

Enter 008, 010, or 012 in ***.

④ Round type made of plastic (PP)

1/4MTF-R8-010PP-IN

⑤ Round type made of stainless steel

1/8MTF-R8-△△△S316L-IN

1/4MTF-R8-▲▲▲S316L-IN

Enter 008, 010, 012, or 014 in △△△.

Enter 010, 012, 014, or 016 in ▲▲▲.