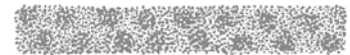


- Air booster nozzle suitable for applications where a wide laminar blow is required. High blowing power through its 46 orifices which generate an effective flat blow.
- Thanks to its innovative design, it guarantees a considerable reduction in energy consumption by doubling its blowing power.
- Blowing width three times greater than the one of the nozzles TF-F 42 and TF-FS 42.
- **In addition to its high effectiveness, it presents a very low noise level. (The human ear interprets a reduction of noise by 10 dB(A) as 50% less noise.)**
- Its multi-orifice design prevents clogging, not exceeding 2.1 bar of static pressure, according to safety regulations.
- Manufactured in PPS that provides great resistance to mechanical, chemical and high temperature aggressions.
- Suitable for environments where hygiene is crucial.

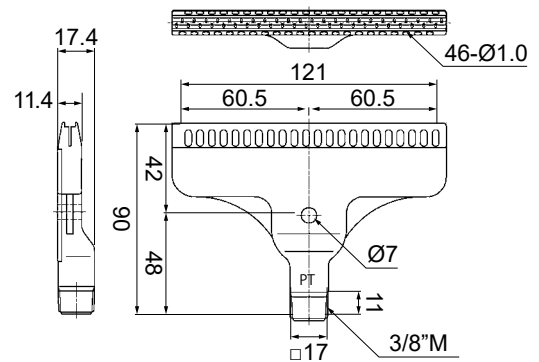


### Blowing pattern

Flat blowing



### Dimensions (mm)



Material  
PPS



Pressure  
0.7 MPa  
ca. 7 bar



Maximum temperature  
120 °C



Thread connection  
3/8" male



Weight  
62 g



Strength of blowing\*  
17 N



Air consumption\*  
1,830 l/min,  
Normal



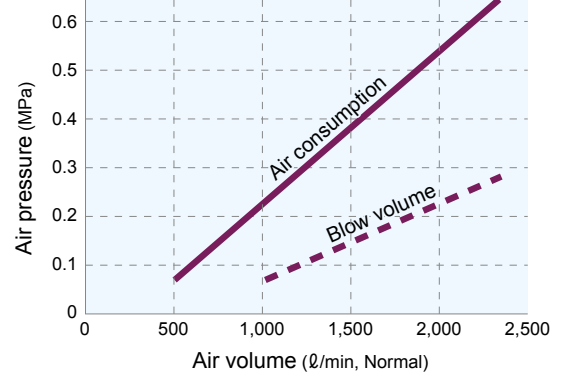
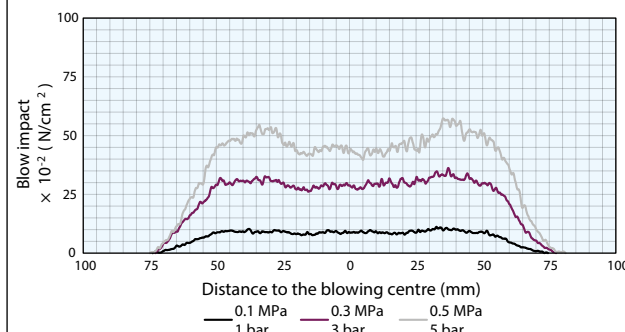
Level of noise\*  
86 dB(A)



Product code  
3/8M TF-F 121-46-010 PPS

\* at 0.5 MPa (ca. 5 bar)

### Blowing power



### Consumption (l/min, Normal)

0.1 MPa	0.3 MPa	0.5 MPa
610	1,220	1,830