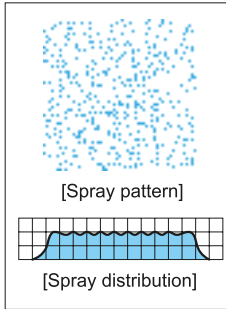


Square Spray Nozzles

SSXP
SSXP-HTPVC



[Features]

- Square full cone spray pattern with uniform distribution.
- Wide spray angle of 90–100° provides large spray coverage.
- Square full cone spray pattern leaves no gaps in multiple-nozzle arrangements.
- X-shaped whirler provides large free passage diameter, minimizing clogging.

[Standard pressure]

SSXP series: 0.2 MPa
SSXP-HTPVC series: 0.15 MPa

[Applications]

Cleaning: Gas, incinerator fumes, machinery, eliminators, screen, tanks, crushed stones, earth and sand
Cooling: Gas, machinery, tanks, steels
Spraying: Waste water treatment, foam breaking, fire extinguishing, dust suppression

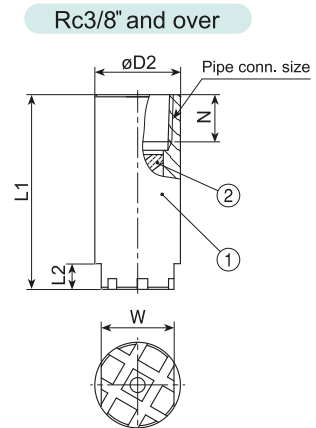
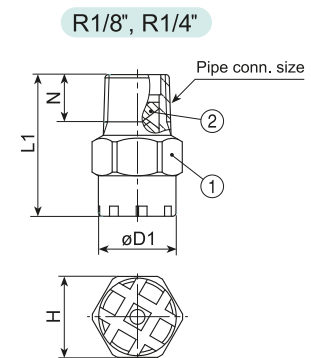
Square Spray

SSXP series

SSXP series	
Structure	• One-piece structure with a press-fit X-shaped whirler.
Material	<ul style="list-style-type: none"> • Sizes R1/8", R1/4": S303 • Sizes R3/8"—Rc1": S303 • Sizes Rc1*1/2" or larger: S316 (SCS14) • Optional material: S316L (SCS16)

Pipe conn. size	Dimensions (mm)							Mass (g)
	L1	L2	H	W	øD1	øD2	N	S303 S316
R1/8	21	—	12	—	11.5	—	7	11.5
R1/4	29	—	14	—	13.5	—	10.5	20
Rc3/8	45.5	6	—	17	—	20	11	70
Rc1/2	56	8	—	22	—	25	14	150
Rc3/4	73	10	—	27	—	32	15	300
Rc1	94	14	—	34	—	40	17	575
Rc1*1/2	131	20	—	50	—	58	19	1,690
Rc2	168	24	—	60	—	70	23	2,910
Rc2*1/2	199	27	—	80	—	90	27	5,860
Rc3	220	30	—	90	—	105	30	9,420

[Note] Appearance and dimensions may differ slightly depending on materials and nozzle codes.

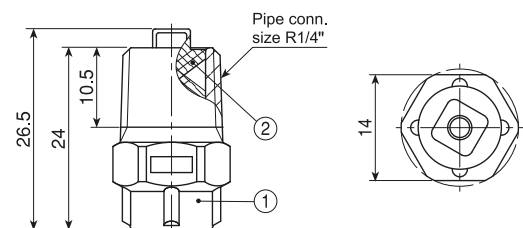


① Nozzle body ② Whirler

SSXP-HTPVC series

SSXP-HTPVC series	
Structure	• One-piece structure with a removable X-shaped whirler.
Material	• HTPVC
Mass	• 3.1 g

[Note] Appearance and dimensions may differ slightly depending on materials and nozzle codes.



① Nozzle body ② Whirler

Square Spray Nozzles

SSXP/SSXP-HTPVC series

Square Spray

SSXP series

Spray capacity code	Pipe conn. size		Spray angle (°)			Spray capacity (ℓ/min)									Mean droplet diameter (μm)	Free passage diameter (mm)
	R1/8	R1/4	0.05 MPa	0.2 MPa	0.5 MPa	0.03 MPa	0.05 MPa	0.1 MPa	0.15 MPa	0.2 MPa	0.3 MPa	0.5 MPa	0.7 MPa	1 MPa		
020	○		86	90	81	—	1.06	1.46	1.75	2.00	2.36	2.91	3.34	3.86	330	0.9
030	○		86	90	81	—	1.59	2.18	2.63	3.00	3.54	4.36	5.00	5.79	380	1.2
040		○	90	95	85	—	2.12	2.91	3.51	4.00	4.72	5.81	6.67	7.72	360	1.3
050		○	91	95	86	—	2.65	3.64	4.38	5.00	5.90	7.27	8.34	9.64	360	1.7
060		○	91	95	86	2.51	3.18	4.37	5.26	6.00	7.08	8.72	10.0	11.6	490	1.7

Spray capacity code	Pipe connection size									Spray angle (°)			Spray capacity (ℓ/min)								Mean drop. dia. (μm)	Free pass. dia. (mm)
	Rc 3/8	Rc 1/2	Rc 3/4	Rc 1	Rc 1 1/2	Rc 2	Rc 2 1/2	Rc 3	0.05 MPa	0.2 MPa	0.5 MPa	0.03 MPa	0.05 MPa	0.1 MPa	0.15 MPa	0.2 MPa	0.3 MPa	0.5 MPa	0.7 MPa	1 MPa		
070	○								94	100	89	2.93	3.71	5.09	6.14	7.00	8.26	10.2	11.7	13.5	440	2.0
080	○								95	100	90	3.35	4.24	5.82	7.01	8.00	9.44	11.6	13.3	15.4	5	2.0
10	○								96	100	91	4.19	5.29	7.28	8.77	10.0	11.8	14.5	16.7	19.3	5	2.6
12	○								97	100	92	5.03	6.35	8.73	10.5	12.0	14.2	17.4	20.0	23.1	630	2.6
16		○							95	100	90	6.70	8.47	11.6	14.0	16.0	18.9	23.3	26.7	30.9	5	2.8
20		○							96	100	91	8.36	10.6	14.6	17.5	20.0	23.6	29.1	33.4	38.6	710	3.5
30			○						96	100	91	12.6	15.9	21.8	26.3	30.0	35.4	43.6	50.0	57.9	5	3.8
40			○						97	100	92	16.8	21.2	29.1	35.1	40.0	47.2	58.1	66.7	77.2	5	4.8
50				○					95	100	90	20.9	26.5	36.4	43.8	50.0	59.0	72.7	83.4	96.4	750	5.4
60				○					96	100	91	25.1	31.8	43.7	52.6	60.0	70.8	87.2	100	115	5	5.4
80				○					97	100	92	33.5	42.4	58.2	70.1	80.0	94.4	115	135	155	1,000	6.0
100					○				96	100	91	41.9	52.9	72.8	87.7	100	120	145	170	195	5	7.1
150					○				97	100	92	62.8	79.4	110	130	150	180	220	250	290	5	10.2
300						○			97	100	92	125	160	220	265	300	355	435	500	580	1,350	12.7
500							○		97	100	92	210	265	365	440	500	590	730	835	965	1,500	16.8
700								○	97	100	92	290	370	510	615	700	826	1,020	1,170	1,350	1,700	17.1

SSXP-HTPVC series [1/4MSSXP1.5*65/4.5HTPVC]

Spray angle (°)					Spray capacity (ℓ/min)						Mean droplet diameter (μm)	Free passage diameter (mm)
0.05 MPa	0.15 MPa	0.5 MPa	0.05 MPa	0.1 MPa	0.15 MPa	0.2 MPa	0.3 MPa	0.5 MPa	0.7 MPa	1 MPa		
56	65	65	2.72	3.74	4.50	5.14	6.06	7.46	8.56	9.90	450	2.2

How to order

Please inquire or order for a specific nozzle using this coding system.

①SSXP series (metal)

<Example> 1/8M SSXP 020 S303

1/8M SSXP 020 S303

Pipe conn. size*	Spray capacity code	Material
■ 1/8M	■ 020	■ S303
■ }	■ }	■ S316
■ 3F	■ 700	

②SSXP-HTPVC series (plastic)

1/4M SSXP 1.5*65/4.5 HTPVC

**M" indicates male thread ("R" of the ISO standard) and "F" indicates female thread ("Rc" of the ISO standard), e.g. 1/8M = R1/8".