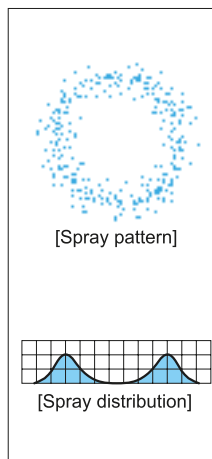


Semi-fine Atomization and Small Capacity Hollow Cone Spray Nozzles

KKBP

Hollow Cone



[Features]

- Small capacity hollow cone spray nozzle.
- Unique whirler design with large free passage diameter minimizes clogging.
- Semi-fine atomization.
- Compact, lightweight design with a small number of parts.
- Maintenance is easy as whirler is detachable.

[Standard pressure]

0.3 MPa

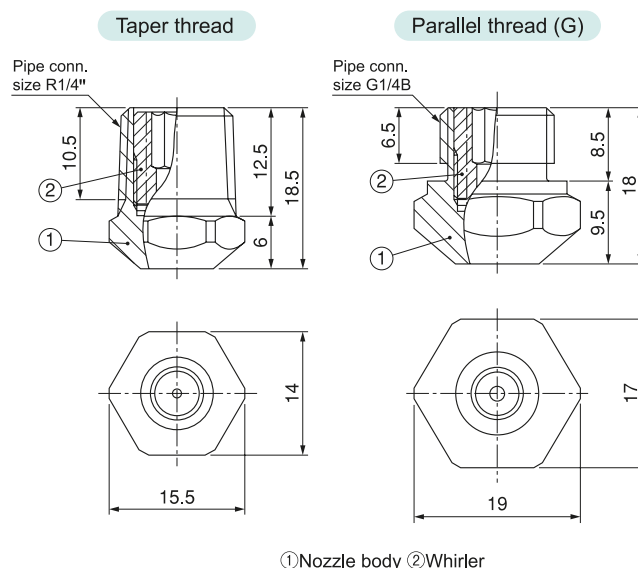
[Applications]

- Humidifying: Air handling units
- Cooling: Gas, metals
- Spraying: Chemicals
- Snow making (for snow machines)

KKBP series

KKBP series	
Structure	<ul style="list-style-type: none"> • Comprises a nozzle body and whirler. • Available with male taper pipe thread (R1/4") or male parallel pipe thread (G1/4B).
Material	<ul style="list-style-type: none"> • Nozzle body: S303 • Whirler: S316L equivalent • Optional material (of nozzle body): S316, S316L
Mass	<ul style="list-style-type: none"> • Taper pipe thread type: 15 g • Parallel pipe thread type: 20 g

[Note] Appearance and dimensions may differ slightly depending on materials and nozzle codes.

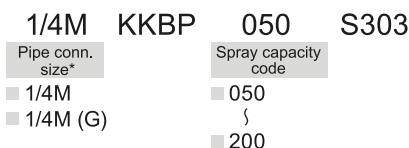


Spray capacity code	Spray angle (°)			Spray capacity (ℓ/min)								Mean droplet diameter (μm)	Free passage diameter (mm)
	0.2 MPa	0.3 MPa	1.0 MPa	0.2 MPa	0.3 MPa	0.5 MPa	1 MPa	1.5 MPa	2 MPa	3 MPa	5 MPa		
050	63	65	68	0.41	0.50	0.64	0.89	1.08	1.24	1.51	1.93	160	1.0
060	65	68	70	0.49	0.60	0.77	1.07	1.30	1.49	1.82	2.32		
070	60	63	65	0.58	0.70	0.89	1.25	1.52	1.74	2.12	2.71	250	1.4
080	63	65	68	0.66	0.80	1.02	1.43	1.73	1.99	2.42	3.09		
100	55	58	60	0.82	1.00	1.28	1.78	2.17	2.49	3.03	3.87	260	1.4
120	58	60	63	0.99	1.20	1.53	2.14	2.60	2.99	3.63	4.64		
140	55	58	60	1.15	1.40	1.79	2.50	3.04	3.49	4.24	5.41	360	1.8
160	55	58	60	1.32	1.60	2.05	2.85	3.47	3.98	4.84	6.19		
180	50	53	55	1.48	1.80	2.30	3.21	3.90	4.48	5.45	6.96	360	1.8
200	53	55	58	1.65	2.00	2.56	3.57	4.34	4.98	6.05	7.73		

How to order

Please inquire or order for a specific nozzle using this coding system.

<Example> 1/4M KKBP 050 S303



*In case parallel thread type is required, please specify the pipe connection size as 1/4M (G).

"M" indicates male thread ("R" of the ISO standard) and "F" indicates female thread ("Rc" of the ISO standard), e.g. 1/4M = R1/4".