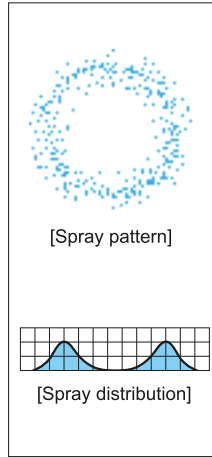


Extremely Fine Fog and Ultra-small Capacity Hollow Cone Spray Nozzles

KBN



[Features]

- Ultra-small capacity hollow cone spray nozzle with the finest atomization among hydraulic nozzles.
- Minimal clogging with free passage diameter 1.3–2.6 times bigger than that of conventional nozzles.
- High-purity alumina ceramic tip provides stable performance with longer life even under high pressure conditions.

[Standard pressure]

1 MPa (Max. operating pressure: 7 MPa)

[Applications]

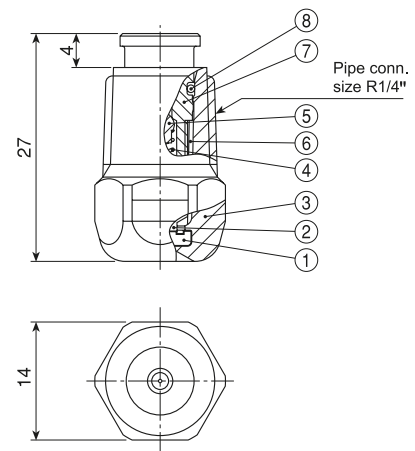
- Cooling: Poultry farms, Outside cooling
 Humidifying: Air handling units, greenhouses
 Spraying: Alcohol, disinfectant
 Others: Dust suppression, irrigation for greenhouse

Hollow Cone

KBN series

KBN series (with ceramic orifice inserted)	
Structure	<ul style="list-style-type: none"> • One-piece structure with one-shot injection molded ceramic orifice. • Thread is R1/4" (PT1/4 male) or NPT1/4 male. • All models come with strainer and check valve.
Material	<ul style="list-style-type: none"> • Nozzle orifice: ceramic • Closer: polyester elastomer • Nozzle body: PA
Mass	<ul style="list-style-type: none"> • 4 g

[Note] Appearance and dimensions may differ slightly depending on materials and nozzle codes.



- ① Ceramic orifice ② Closer ③ Nozzle body ④ Spring (S304)
- ⑤ Poppet (NBR) ⑥ Strainer screen (S316)
- ⑦ Strainer holder (PP) ⑧ O-ring (NBR)

Spray angle code	Spray capacity code	Spray angle (°)				Spray capacity (ℓ/hr)										Mean drop. dia. (μm)	Free pass. dia. (mm)	Strainer mesh size	Nozzle body color
		0.5 MPa	1 MPa	1.3 MPa	2 MPa	0.5 MPa	0.8 MPa	1 MPa	1.3 MPa	2 MPa	3.5 MPa	5 MPa	6 MPa	7 MPa					
80	063	50	80	80	80	1.13	1.72	2.00	2.35	2.99	3.99	4.75	5.19	5.58	35	0.2	200	Red	
	125	60	80	80	80	2.29	3.51	4.10	4.84	6.19	8.31	9.94	10.9	11.7	50	0.3	100	Green	
	22	65	80	80	80	3.99	6.18	7.25	8.59	11.1	15.0	18.0	19.7	21.3	65	0.4	100	Purple	

[Note]

1. The spray capacity of KBN series is in liters per hour (ℓ/hr), not in ℓ/min.
2. Check valve which closes and opens at 0.3 MPa is built into the nozzle.
3. KBN series nozzles with check valves are not guaranteed for spray angle and spray capacity.

How to order

Please inquire or order for a specific nozzle using this coding system.

〈Example〉 1/4M KBN 80125 TPACVW

1/4M KBN 80 125 TPACVW

- Spray capacity code
- 063
 - 125
 - 22