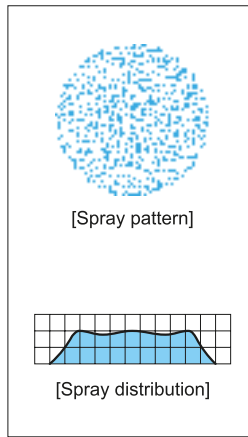


Standard Type Full Cone Spray Nozzles

JJXP-HTPVC JJXP-PVC

For spraying chemicals such as hydrochloric acid, heat-treated HTPVC injection-molded **JJXP-HTPVC series** nozzles are available.

Full Cone



[Features]

- Full cone spray pattern with a round impact area and uniform distribution.
- X-shaped whirler provides large free passage diameter, minimizing clogging.
- X-shaped whirler is removable for easy maintenance.

[Standard pressure]

0.2 MPa

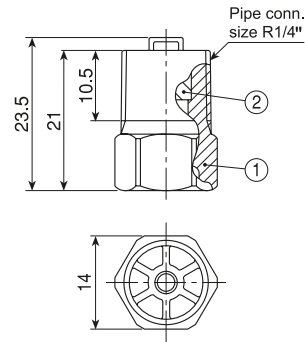
[Applications]

Spraying: Etchants, chemicals
Cleaning: Printed circuit boards

JJXP-HTPVC series

JJXP-HTPVC series	
Structure	• One-piece structure with a removable X-shaped whirler.
Material	• HTPVC
Mass	• 2.5 g

[Note] Appearance and dimensions may differ slightly depending on materials and nozzle codes.

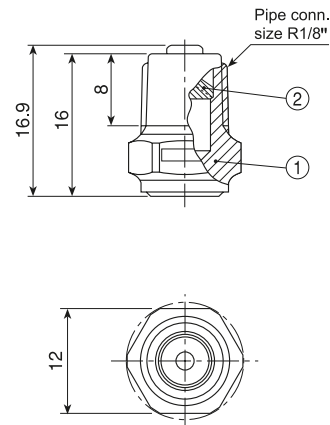


① Nozzle body ② Whirler

JJXP-PVC series

JJXP-PVC series	
Structure	• One-piece structure with a removable X-shaped whirler.
Material	• PVC
Mass	• 1.4 g

[Note] Appearance and dimensions may differ slightly depending on materials and nozzle codes.



① Nozzle body ② Whirler

Standard Type Full Cone Spray Nozzles JJXP-HTPVC/JJXP-PVC series

Full Cone

■ JJXP-HTPVC series

Spray capacity code	Spray angle (°)			Spray capacity (ℓ/min)									Mean droplet diameter (μm)	Free passage diameter (mm)
	0.05 MPa	0.2 MPa	0.5 MPa	0.03 MPa	0.05 MPa	0.1 MPa	0.15 MPa	0.2 MPa	0.3 MPa	0.5 MPa	0.7 MPa	1 MPa		
040	60	65	55	—	2.12	2.91	3.51	4.00	4.72	5.81	6.67	7.72	380	2.2
050	65	70	60	—	2.65	3.64	4.38	5.00	5.90	7.27	8.34	9.64	5	2.2
060	70	75	65	2.51	3.18	4.37	5.26	6.00	7.08	8.72	10.0	11.6	520	2.2

■ JJXP-PVC series [1/8M JJXP 2*75/2 PVC]

Spray angle (°)			Spray capacity (ℓ/min)									Mean droplet diameter (μm)	Free passage diameter (mm)
0.05 MPa	0.2 MPa	0.5 MPa	0.03 MPa	0.05 MPa	0.1 MPa	0.15 MPa	0.2 MPa	0.3 MPa	0.5 MPa	0.7 MPa	1 MPa		
70	75	66	—	1.06	1.46	1.75	2.00	2.36	2.91	3.34	3.86	350	1.5

How to order

Please inquire or order for a specific nozzle using this coding system.

① JJXP-HTPVC series

〈Example〉 1/4M JJXP 040 HTPVC

1/4M JJXP 040 HTPVC

Spray capacity code

- 040
- 050
- 060

② JJXP-PVC series

1/8M JJXP 2*75/2 PVC