

Medium / Large Capacity Fine Fog Nozzles

GBIM series Nozzles



■ GBIM series fine fog nozzles are large capacity pneumatic spray nozzles generating fine fog with very low air-water ratios.

■ GBIM series nozzles save running costs with low consumption of compressed air due to their very low air-water ratios.

Contents

GBIM series
Medium / Large Capacity
Fine Fog Nozzles

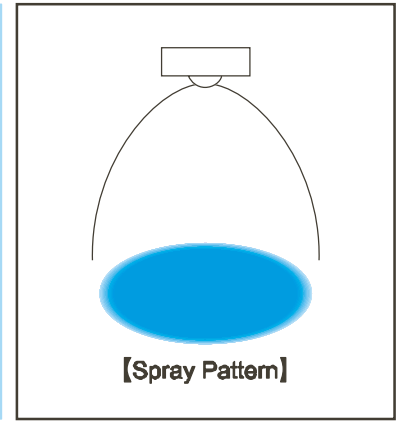
p.37

Medium / Large Capacity Fine Fog Nozzles

GBIM

Features

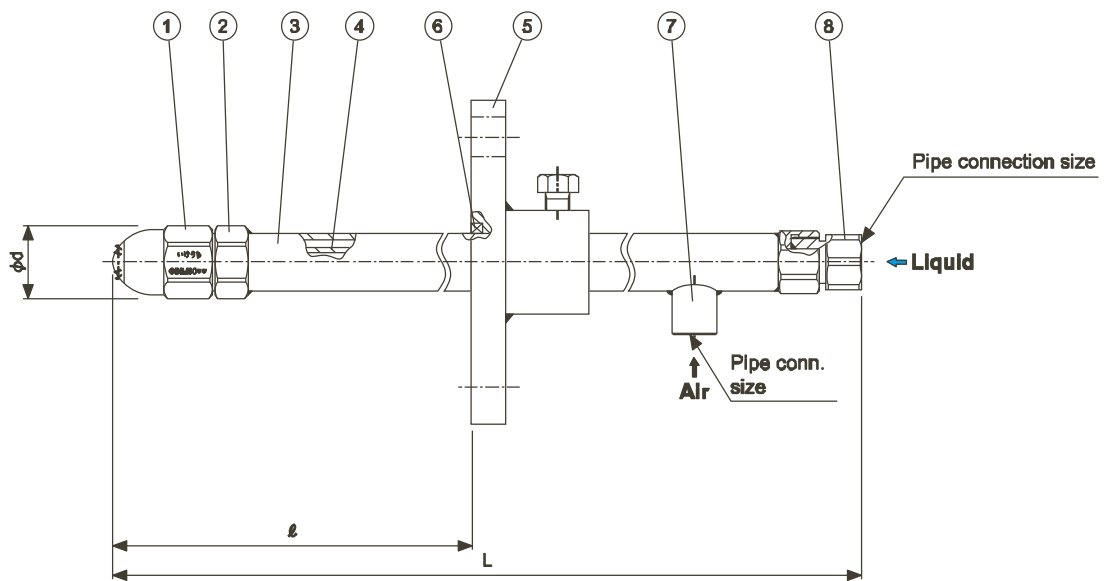
- Produces fine atomization having a mean droplet diameter of 60 μ m and a maximum droplet diameter of 150 μ m (*1), with spray capacity 700 ℓ /hr at an air-water ratio of 100. Low air-water ratio design.
 - Spray angle is 60°.
 - Compact. Nozzle tip designed for heavy-duty environments such as a cooling tower after an incinerator.
- *1) Measured by Laser Doppler Method



Applications

- Cooling: Gas, molding, refractories
- Moisture control: Paper, gas, concrete
- Combustion: Oil

Structure & Materials



Components and materials

| No. | Component | Standard Material |
|-----|-------------------------|--------------------------------------|
| ① | Nozzle Tip & Cap | S316L |
| ② | Adaptor | S316L |
| ③ | Outer Pipe (for air) | S316LTP |
| ④ | Inner Pipe (for liquid) | S304TP |
| ⑤ | Flange | S304 |
| ⑥ | Packing | Ceramic fiber + Stainless steel wire |
| ⑦ | Air Connection | S304 |
| ⑧ | Liquid Connection | S304 |

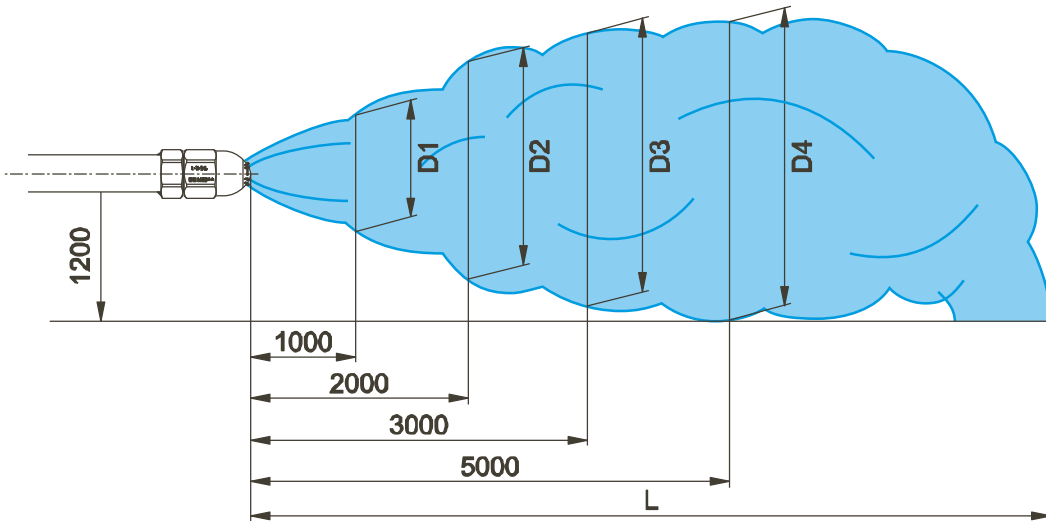
Dimensions

| Spray Angle Code | Air Consumption Code | Pipe Conn. Size | | Outer Diameter ϕd (mm) | Free Passage Diameter (mm) | |
|------------------|----------------------|-----------------|--------|------------------------------|----------------------------|--------|
| | | Air | Liquid | | Air | Liquid |
| 60° | 75 | 1/2F | | 45 | 2.4 | 2.5 |
| | 110 | 1/2F | | | 2.4 | 2.7 |
| | 150 | 3/4F | 1/2F | 50 | 3.1 | 3.4 |

Nozzle length

| Type | Total Length L (mm) | Length ℓ (mm) |
|------|---------------------|--------------------|
| A | 560 | 300~400 |
| B | 760 | 400~600 |
| C | 960 | 600~800 |
| D | 1160 | 800~1000 |

Spray Dimensions



| Spray Angle Code | Air Consumption Code | Air Pressure (MPa) | Liquid Pressure (MPa) | Spray Dimensions (mm) | | | | |
|------------------|----------------------|--------------------|-----------------------|-----------------------|------|------|------|-------|
| | | | | D1 | D2 | D3 | D4 | L |
| 60° | 75 | 0.3 | 0.25~0.35 | 800 | 1200 | 1500 | 2000 | 8000 |
| | | 0.4 | 0.35~0.45 | 700 | 1100 | 1400 | 2000 | 8000 |
| | | 0.5 | 0.45~0.55 | 650 | 1050 | 1300 | 2000 | 9000 |
| | 110 | 0.3 | 0.25~0.35 | 850 | 1250 | 1550 | 2100 | 9000 |
| | | 0.4 | 0.35~0.45 | 750 | 1150 | 1450 | 2100 | 9000 |
| | | 0.5 | 0.45~0.55 | 700 | 1100 | 1400 | 2100 | 10000 |
| | 150 | 0.3 | 0.25~0.35 | 900 | 1300 | 1600 | 2200 | 10000 |
| | | 0.4 | 0.35~0.45 | 800 | 1200 | 1500 | 2200 | 10000 |
| | | 0.5 | 0.45~0.55 | 750 | 1150 | 1450 | 2200 | 11000 |

How to order

Please inquire or order for a specific nozzle using this coding system.

<Example> GBIM 60110 C S316L+2T10S304(SCS13)(l)

GBIM **60** **110** **C** **S316L + 2T10** **S304(SCS13)** **(l)**
Air Consumption Code Nozzle Length Flange Size Length between the nozzle head and flange

- 75 ■ A
- 110 ■ B
- 150 ■ C
- D

(See p.37)