

[Features]

- World-rare flat spray nozzle engineered especially for powerful cleaning and descaling. Producing a thin flat spray pattern like a sharp razor blade, DSP series nozzles have high spray impact, yielding more powerful cleaning performance than any other flat spray nozzles (under the same spray pressure and spray capacity conditions).

[Standard Pressure]

5 MPa

[Applications]

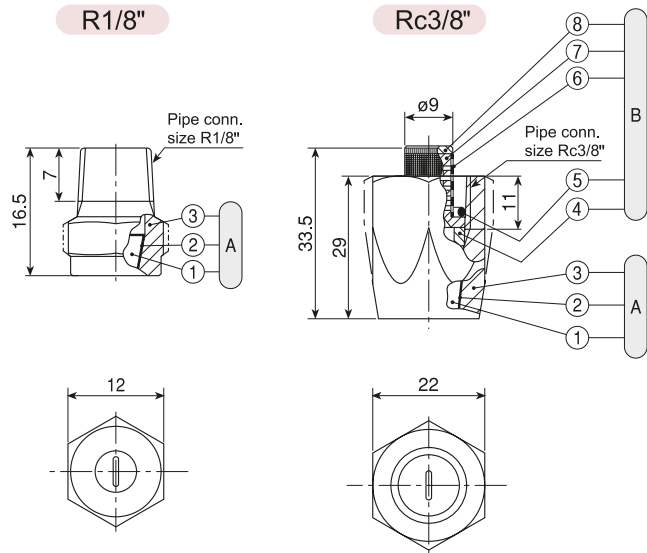
High pressure cleaning, descaling, rust-removal, degreasing

DSP series

DSP series (with ceramic orifice inserted)	
Structure	<ul style="list-style-type: none"> Ceramic orifice is inserted and adhered into a metal body. Opening of ceramic orifice is circular from inlet to throat and it gradually contracts to a longer rectangle towards the outlet.
Material	<ul style="list-style-type: none"> Nozzle orifice: ceramic Metal parts: S303
Mass*1	<ul style="list-style-type: none"> R1/8": 7 g Rc3/8": 52 g

*1) With a strainer, add 2-5 g to the above mass.

[Note] Appearance and dimensions may differ slightly depending on materials and nozzle codes.



- (A) Nozzle** (①Ceramic orifice ②Adhesive: Araldite® ③Nozzle body)
(B) Strainer (④Packing (PTFE) ⑤O-ring (NBR) ⑥Strainer screen [S316] ⑦Strainer holder ⑧Strainer cap)

Spray angle code	Spray capacity code	Pipe conn. size		Spray angle (°)			Spray capacity (ℓ/min)										Free pass. dia. (mm)
		R1/8	Rc3/8	3 MPa	5 MPa	10 MPa	3 MPa	3.5 MPa	4 MPa	4.5 MPa	5 MPa	6.5 MPa	8 MPa	10 MPa	15 MPa	20 MPa	
15	56	○		14	15	15	4.33	4.68	5.00	5.30	5.59	6.37	7.06	7.91	9.67	11.2	0.4
	64	○		14	15	15	4.94	5.34	5.71	6.06	6.38	7.28	8.07	9.04	11.1	12.8	0.4
	72	○		14	15	15	5.56	6.01	6.42	6.81	7.18	8.19	9.08	10.2	12.4	14.4	0.4
	80	○		14	15	15	6.18	6.68	7.14	7.57	7.98	9.10	10.1	11.3	13.8	16.0	0.4
	88	○		14	15	15	6.80	7.35	7.85	8.33	8.79	10.0	11.1	12.4	15.2	17.6	0.4
	96	○		14	15	15	7.42	8.01	8.56	9.09	9.58	10.9	12.1	13.6	16.6	19.1	0.5
	104	○		14	15	15	8.04	8.68	9.28	9.85	10.4	11.8	13.1	14.7	18.0	20.8	0.5
	112	○		14	15	15	8.66	9.35	10.0	10.6	11.2	12.8	14.1	15.8	19.4	22.4	0.5
	120	○		14	15	15	9.26	10.0	10.7	11.4	12.0	13.7	15.2	17.0	20.8	24.0	0.6
	128	○		14	15	15	9.89	10.7	11.4	12.1	12.8	14.6	16.2	18.1	22.1	25.6	0.6
	144	○		14	15	15	11.1	12.0	12.9	13.6	14.4	16.4	18.2	20.3	24.9	28.8	0.7
	160	○		14	15	15	12.4	13.4	14.3	15.2	16.0	18.2	20.2	22.6	27.7	32.0	0.8

Spray angle code	Spray capacity code	Pipe conn. size		Spray angle (°)			Spray capacity (ℓ/min)										Free pass. dia. (mm)
		R1/8	Rc3/8	3 MPa	5 MPa	10 MPa	3 MPa	3.5 MPa	4 MPa	4.5 MPa	5 MPa	6.5 MPa	8 MPa	10 MPa	15 MPa	20 MPa	
12	83		●	11	12	12	6.43	6.94	7.42	7.87	8.30	9.46	10.5	11.7	14.4	16.6	0.4
	103		●	11	12	12	7.98	8.62	9.21	9.77	10.3	11.7	13.0	14.6	17.8	20.6	0.4
	148		○	11	12	12	11.5	12.4	13.2	14.0	14.8	16.9	18.7	20.9	25.6	29.6	0.5
	166		○	11	12	12	12.9	13.9	14.8	15.7	16.6	18.9	21.0	23.5	28.8	33.2	0.5
	189		○	11	12	12	14.6	15.8	16.9	17.9	18.9	21.5	23.9	26.7	32.7	37.8	0.6
	224		○	11	12	12	17.4	18.7	20.0	21.3	22.4	25.5	28.2	31.6	38.8	44.7	0.7
	250		○	11	12	12	19.4	20.9	22.4	23.7	25.0	28.5	31.6	35.4	43.3	50.0	0.7
	300		○	11	12	12	23.2	25.1	26.8	28.5	30.0	34.2	37.9	42.4	52.0	60.0	0.9
	332		○	11	12	12	25.7	27.8	29.7	31.5	33.2	37.9	42.0	46.9	57.5	66.4	1.0
	478		○	11	12	12	37.0	40.1	42.8	45.3	47.8	54.5	60.5	67.7	82.8	95.7	1.5
	865		○	11	12	12	67.0	72.5	77.4	82.1	86.5	98.6	110	123	150	173	2.6

● : Available with/without strainer (strainer mesh size #150) ○ : Available without strainer

Precautions for use

Please use clean water to prevent the nozzles from clogging.

How to order

Please inquire or order for a specific nozzle using this coding system.

〈Example〉 1/8M DSP 1556 S303 (Brown)

1/8M DSP 15 56 S303 (Brown)

Pipe conn. size ²	Spray angle code	Spray capacity code	Strainer
■ 1/8M	■ 15	■ 56	■ W (with strainer)
■ 3/8F	■ 12	}	■ (Blank denotes "without strainer")
		■ 865	

*2) "M" indicates male thread ("R" of the ISO standard) and "F" indicates female thread ("Rc" of the ISO standard), e.g. 1/8M = R1/8".