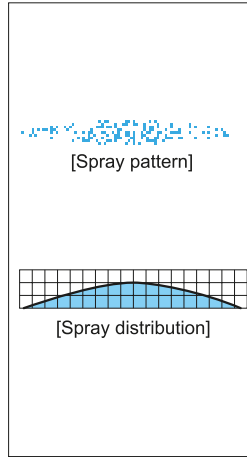
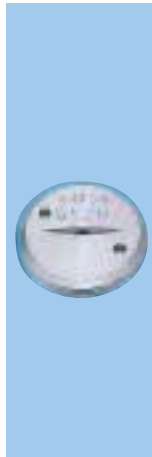


# Coin-shaped Standard Flat Spray Nozzles

**CVVP**



**[Features]**

- Flat spray pattern with a mountain-shaped spray distribution having gradually tapered edges.
- In the shape of a thin coin, this nozzle does not protrude out of a pipe-surface, which makes it easy to accommodate nozzle headers in narrow spaces.

**[Standard pressure]**

0.3 MPa

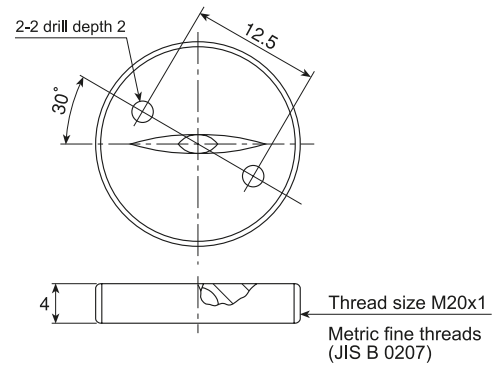
**[Applications]**

- Cleaning: Felts, rolls, screens, filters, wires  
 Spraying: Lubricants, chemicals  
 Cooling: Steel plates and coils

Flat Spray

**CVVP series**

CVVP series	
Structure	• One-piece structure with threaded outside edge.
Material	• S303 or S316
Mass	• 8.5 g



[Note] Appearance and dimensions may differ slightly depending on materials and nozzle codes.

Spray angle code	Spray capacity code	Spray angle (°)			Spray capacity (ℓ/min)											Mean droplet dia. (μm)	Free passage dia. (mm)			
		0.15 MPa	0.3 MPa	0.7 MPa	0.05 MPa	0.07 MPa	0.1 MPa	0.15 MPa	0.2 MPa	0.3 MPa	0.5 MPa	0.7 MPa	1 MPa	1.5 MPa	2 MPa					
90	10	78	90	99	0.41	0.48	0.58	0.71	0.82	1.00	1.29	1.53	1.83	2.24	2.58	210	0.5			
	15	79	90	98	0.61	0.72	0.87	1.06	1.23	1.50	1.94	2.29	2.74	3.36	3.87					
	20	80	90	97	0.82	0.97	1.15	1.41	1.63	2.00	2.58	3.06	3.65	4.47	5.16					
	90	30	82	90	96	1.23	1.45	1.73	2.12	2.45	3.00	3.88	4.58	5.48	6.71	7.75	}	0.9		
		40	83	90	97	1.63	1.93	2.31	2.83	3.27	4.00	5.16	6.11	7.30	8.94	10.3				
		50	83	90	97	2.04	2.42	2.89	3.54	4.08	5.00	6.46	7.64	9.13	11.2	12.9				
		60	83	90	97	2.45	2.90	3.46	4.24	4.90	6.00	7.75	9.17	11.0	13.4	15.5				
80		84	90	97	3.27	3.86	4.62	5.66	6.53	8.00	10.3	12.2	14.6	17.9	20.6					
80	10	69	80	87	0.41	0.48	0.58	0.71	0.82	1.00	1.29	1.53	1.83	2.24	2.58	210	0.5			
	15	70	80	86	0.61	0.72	0.87	1.06	1.23	1.50	1.94	2.29	2.74	3.36	3.87					
	20	71	80	86	0.82	0.97	1.15	1.41	1.63	2.00	2.58	3.06	3.65	4.47	5.16					
	80	30	72	80	84	1.23	1.45	1.73	2.12	2.45	3.00	3.88	4.58	5.48	6.71	7.75	}	1.0		
		40	74	80	83	1.63	1.93	2.31	2.83	3.27	4.00	5.16	6.11	7.30	8.94	10.3				
		50	74	80	83	2.04	2.42	2.89	3.54	4.08	5.00	6.46	7.64	9.13	11.2	12.9				
		60	74	80	83	2.45	2.90	3.46	4.24	4.90	6.00	7.75	9.17	11.0	13.4	15.5				
80		74	80	83	3.27	3.86	4.62	5.66	6.53	8.00	10.3	12.2	14.6	17.9	20.6					
65	10	53	65	72	0.41	0.48	0.58	0.71	0.82	1.00	1.29	1.53	1.83	2.24	2.58	230	0.6			
	15	53	65	72	0.61	0.72	0.87	1.06	1.23	1.50	1.94	2.29	2.74	3.36	3.87					
	20	54	65	72	0.82	0.97	1.15	1.41	1.63	2.00	2.58	3.06	3.65	4.47	5.16					
	65	30	55	65	72	1.23	1.45	1.73	2.12	2.45	3.00	3.88	4.58	5.48	6.71	7.75	}	0.9		
		40	57	65	72	1.63	1.93	2.31	2.83	3.27	4.00	5.16	6.11	7.30	8.94	10.3				
		50	58	65	72	2.04	2.42	2.89	3.54	4.08	5.00	6.46	7.64	9.13	11.2	12.9				
		60	59	65	72	2.45	2.90	3.46	4.24	4.90	6.00	7.75	9.17	11.0	13.4	15.5				
		65	80	62	65	72	3.27	3.86	4.62	5.66	6.53	8.00	10.3	12.2	14.6	17.9			20.6	450

**How to order**

Please inquire or order for a specific nozzle using this coding system.

<Example> M20x1 CVVP 9010 S303

M20x1 CVVP	90	10	S303
Spray angle code	90	10	S303
	80	}	S316
	65	80	